



# ELECTRIC GRASS TRIMMER CLASSIC SERIES

## OPERATING INSTRUCTIONS

### MODELS:

- LS 500
- LS 600
- LS 650
- LS 700
- LS 750
- LS 800
- LS 850
- LS 900



T-820-20

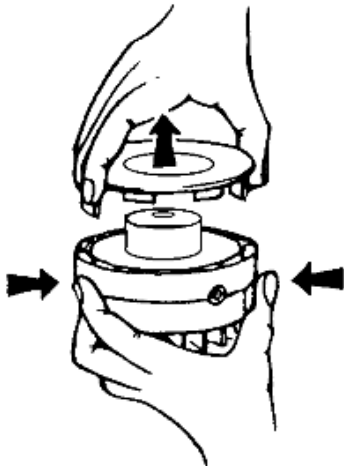


Fig. 5

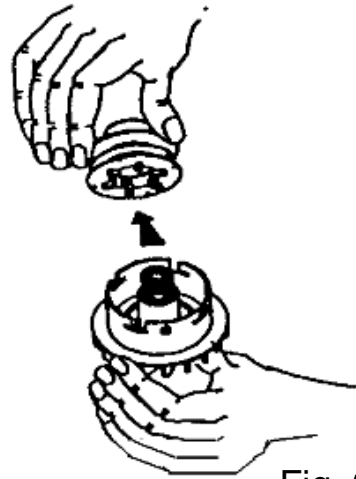


Fig. 6

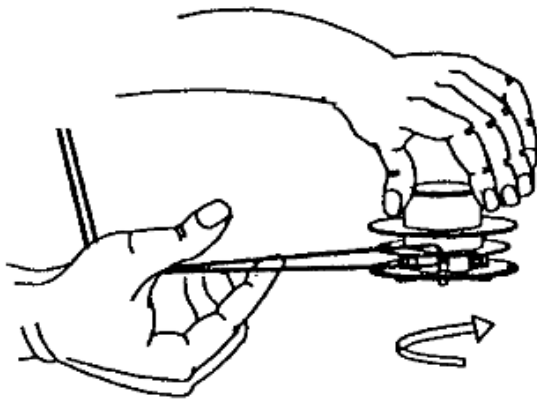


Fig. 7

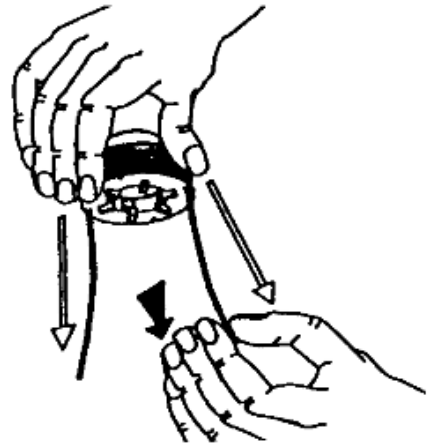


Fig. 8

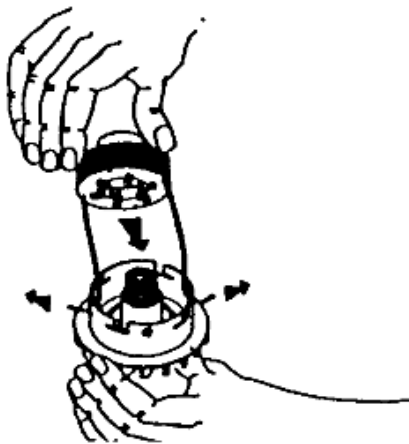


Fig. 9

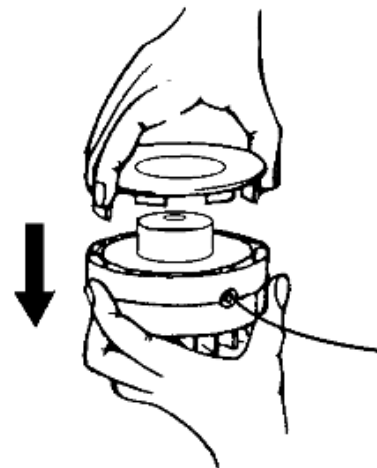


Fig. 10

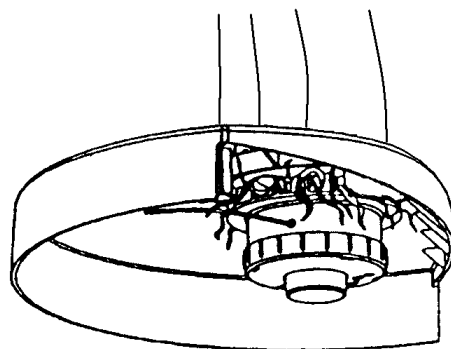


Fig. 11

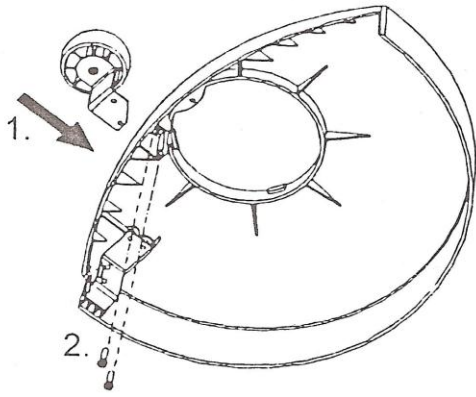


Fig. 1

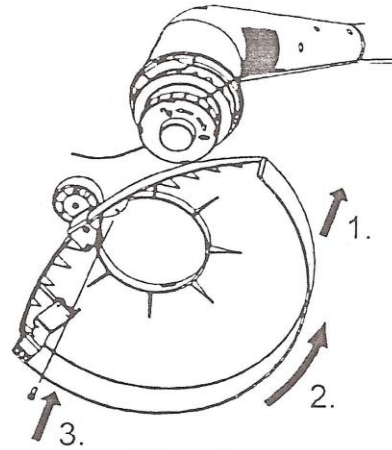


Fig. 2

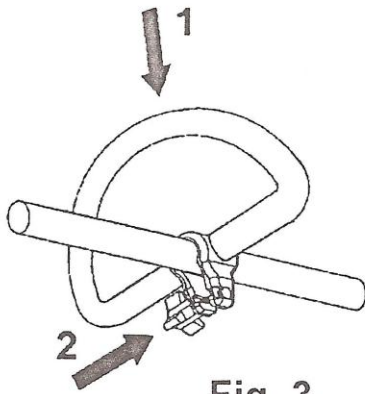


Fig. 3

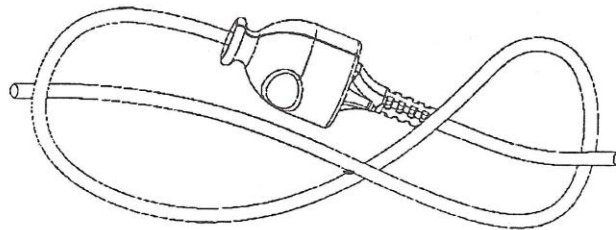


Fig. 4

**SYMBOL**

**EXPLANATION**



Attention! Observe the following safety warnings



Keep bystanders at least 15 metres away from the trimmer during operation



Read operating instructions



Wear eye protection



Do not operate the trimmer in rain

Thank you for purchasing the Lawn Star trimmer which is one of the finest and most advanced trimmers today's technology can produce. Before you begin using it, please read this manual carefully and familiarise yourself with the control and the proper use of this product to ensure you get the best possible performance from it.

### **SAFETY PRECAUTIONS**

Inspect your trimmer and its supply/extension cable before each operation. If any part is damaged or worn, repair or replace before operation. Do not operate with damaged or tangled supply/extension cable. Keep cable away from cutting head.

Use only genuine Lawn Star (Pty)Ltd. replacement parts when servicing or repairing the unit. These parts are available from your supplying dealer or service agent. Use only genuine Lawn Star replacement nylon cutting line, never metal.

**WARNING :** To prevent electrical shock hazards, use only extension cables suitable for outdoor use, with splash-proof socket outlets, preferably protected by sensitive Residual Current Device (RCD) with tripping current of not more than 30 mA.

Disconnect the unit from the power supply when unattended or not in use, before servicing or when changing accessories, such as the spool.

**It is essential that the operator wears safety goggles, protective clothing and sturdy, non-slip footwear.**

Do not use your trimmer for any jobs other than those for which it was intended. Do not use for edge trimming unless adequately guarded. Do not force your trimmer. If motor labours, pull away from grass.

Do not operate trimmer without a line-trimming blade as over-extended line is dangerous and will damage motor and invalidate warranty.

Use care in picking up or holding the unit. Do not grasp the line-trimming blade located at the edge of the underneath side of safety guard.

Avoid unintentional starting. Do not carry a plugged-in unit with your fingers on the switch. Inspect the area to be cut and remove all debris that could be entangled in the cutting head. Also remove any object that the unit may sling during cutting.

Avoid dangerous environments. Do not use the unit in poor light or in damp or wet locations. Do not use in the rain. Do not use on steep slopes, especially if damp. Work across slope faces, not up and down. Do not over-reach. Ensure good footing and balance are maintained.

Keep hands and feet clear of the rotating head while unit is in use. Cutting elements continue to rotate for a few seconds after switch-off.

Do not allow children under 16, nor anyone who is not familiar with these instructions to use the trimmer. Children, pets and onlookers should be kept at least 15 meters away from the work area, unless shielded by an effective solid barrier.

When not in use, store the unit indoors in a dry and locked place, out of reach of children.

### **PREPARATIONS FOR USE**

For models with edging wheel, remove the wheel and bracket from the bag and attach to the guard by inserting and tightening the two screws supplied.(Fig.1 )

Mount the guard from below by passing over the cutting head until the guard bayonet projections locate into the housing flange recesses ( Ensure that the cutting lines are not trapped ). Turn the guard until it locks into place at the end of its travel ( Fig.2). Insert locking screw supplied and tighten ( Fig. 2- No 3 )

Attach "D" assist-handle to the upper half of tube by clipping over the shaft (Fig.3-No 1). Adjust to the most comfortable position for trimming, then fit and tighten the bolt and knob provided (Fig.3-No 2). Rotate the "D" assist-handle through an angle of 180 degrees when edging with your trimmer.

Connect the plug provided with the trimmer, to a suitable female socket. Attach to an extension cord not more than 40 meters of length. Use 2-core insulated cable, minimum (HO5VV-F) 2x1,0mm, in turn connected to a suitable mains connection plug. All components should meet your national, IEC or EN specifications.

**THE USE OF THIS TRIMMER FOR COMMERCIAL OR RENTAL PURPOSES WILL INVALIDATE THE WARRANTY.**

## **CARE AND MAINTAINANCE**

Do not oil – this is unnecessary.

Keep air intake vents, in plastic housing above motor , free of grass cuttings and dirt to ensure unobstructed cooling air-flow through the motor. Clogged-up air intake vents cause the motor to overheat and can result in failure.

## **OPERATING INSTRUCTIONS**

Attach extension cord with suitable female coupler to the plug provided on the trimmer. Secure cord and extension cord as shown in ( Fig.4 ) to prevent accidental detachment of plug.

### **TRIMMING PROCEDURES**

When properly assembled with safety guard and cutting-head, your unit will trim unsightly weeds and tall grass in those hard-to-reach areas along fences, walls, foundations and around trees.

NOTE : Even with care, trimming around foundations, brick or stone walls, kerbs etc. will result in above normal line wear.

### **TRIMMING**

For normal trimming, the trimmer should be inclined at about 30 degrees to the lawn, while cutting towards the left in a sweeping motion. Always cut away from the operator. Do not pull trimmer in toward operator.

### **FENCE / FOUNDATION TRIMMING**

Approach trimming around chain link fences, picket fences, rock walls and foundations slowly to cut close without whipping line against the barrier. If the line comes into contact with rock, brick walls, or foundations, it may fray as it wears. If line snags fencing , it may snap off.

### **TRIMMING AROUND TREES**

Trim around tree trunks with a slow approach so line does not contact bark. Walk around the tree trimming from the right to the left. Approach grass or weeds with the tip of the line and tilt cutting-head forward.

### **EDGING**

For edging, flip the trimmer over and turn the “D” assist-handle through 180 degrees. To conserve line, avoid excessive cutting against stone / cement surfaces .

### **CUTTING-HEAD LINE FEED**

As the cutting line wears and shortens the cutting performance is reduced. In order to maintain optimum performance ensure that the cutting lines are fully extended. To extend additional line, tap the centre of the rotating head lightly on the lawn WHILE THE UNIT IS RUNNING. The line will automatically lengthen by approximately 25mm. Excess line will be clipped off by the blade on the safety guard.

## **CAUTION**

Avoid excessive intermittent switch operation during trimming as this will reduce motor life.

Allow motor to reach maximum RPM before trimming grass.

For the most effective trimming , cut approximately 25mm into the grass , allowing the tip of the line to cut. Do not force the trimmer into the work.

Periodically remove weed wrap from beneath the cutting-head to prevent overheating the motor. Weed wrap occurs when strands of weeds become entangled around the shaft beneath the cutting-head (Fig.11). Remove weed wrap, after disconnecting unit from power supply, with a screwdriver or similar device and ensure cutting-head rotates freely.

## **RENEWING THE CUTTING LINE**

Hold the cutting-head with one hand and unclip the cap with the other hand by pressing in the tabs on either side of the cutting head and simultaneously lifting the cap ( Fig.5 ). Take out the spool ( Fig.6 ). Remove any old bits of line. The new nylon line should not exceed 8,0 meters in length and must conform to the specification listed below ( Use only genuine Lawn Star replacement line). Uncoil the new line completely. For dual-line cutting heads, double over in the middle so that you have two equal lengths. Insert the doubled-over loop into one of the two slots provided in the spool divider and push to the bottom. The slots provided suit either 1.6mm diameter or 2.0mm diameter line ( Fig.7 ). Wind the two lengths onto the spool (one length on each side of the spool divider ) in the direction shown on the spool flange. When each of the spool compartments is full, about 2mm of the centre divider rim should still be visible. For single-line cutting heads wind max 4,0m of line in one compartment only. Ensure the line is wound neatly and tightly. This is important. Clip the ends of the line into the holding slots provided , leaving enough free length to facilitate threading through the eyelets ( Fig.8 ). Pass the line ends through the eyelets in the spool housing and replace spool in housing ( Fig.9 ). Make sure the spring is still in place inside the housing shaft . Replace cap ensuring that it is firmly clipped in place ( Fig.10 ). Pull on the line ends to release the spool from the “ locked “ position to the operating position. Trim off excess trimming line that extends beyond the line trimming blade before switching on. **ENSURE CAP IS PROPERLY LOCKED IN PLACE BEFORE USING.**

### **TRIMMER LINE SPECIFICATIONS:**

Models: LS 500, LS 600, LS 650, LS 700, LS 750, LS 800 & LS 850 – Lawn Star 1.6 mm yellow line  
Models: LS 900, LS 950 & LS 1000 – Lawn Star 2.0 mm orange line

## **TROUBLE SHOOTING GUIDE**

<b><u>PROBLEM</u></b>	<b><u>PROBABLE CAUSE</u></b>	<b><u>CORRECTIVE ACTION</u></b>
Line won't feed	Line is tangled inside cutting-head or trapped under tabs	Remove spool from unit, untangle line and wind correctly in direction of arrow on spool
	Upon removing spool, line appears to be melted together	Trim off damaged line and rewind spool
	Line wound in the wrong direction on spool	Check to ensure that the line is wound correctly in the direction of the arrow on the spool
	Insufficient line on spool	Remove spool and fit new line
Line snaps off or frays	Internal damage to cutting-head caused by bumping the head too hard on the ground to advance line	Disassemble cutting-head and examine parts for damage. Replace parts or entire cutting-head
	Improper trimming procedures or poor quality line	See general operating instructions or replace line
Motor labours before trimming	Metal eyelet damaged	Replace spool housing
	Weed wrap between cutting-head and motor	Remove weed wrap
Motor slows down while cutting	Weed wrap	Remove weed wrap between cutting-head and motor
	Trimmer being forced into grass	Pull away from cutting area, operating instructions in manual

# **LAWN STAR ( PTY ) LTD.**

## **WARRANTY CARD**

### **Please read carefully**

This card is required for warranty repair claims. Please fill in this card and keep it in a safe place, stapled to the original proof of purchase. The original proof of purchase (i.e. receipt, invoice, docket, etc.) must show the original date of purchase and clearly identify the product.

**WITHOUT THIS CARD AND ORIGINAL PROOF OF PURCHASE, ANY WARRANTY BECOMES NULL AND VOID.**

Make:.....Serial No:.....Date of Purchase:.....  
Model:.....

#### **PURCHASER**

NAME:  
ADDRESS:  
PHONE :

#### **PURCHASED FROM**

NAME :  
ADDRESS:  
PHONE:

### **LIMITED DOMESTIC USE WARRANTY**

Lawn Star (Pty) Ltd. guarantees this unit to be free from defects in material and workmanship. If any such defect should become apparent during a period of

**12 MONTHS** (For models LS 500, LS 600, LS 650, LS 700, LS 750, LS 800, LS 850, LS 900 & LS 950)

and

**24 MONTHS** (For models LS 1000 & LS 1200)

from the date of the original purchase, we undertake to repair this unit free of charge or replace this unit with a factory reconditioned unit at our discretion. This does not prejudice your rights in terms of the Consumer Protection Act.

Transport costs to our service centre and back to the owner, should such costs occur, will be carried by the owner of the unit.

The repaired or replaced unit will be covered by this warranty for the remainder of the original warranty period.

#### **This warranty becomes invalid if:**

- the unit has been used commercially or for rental purposes;
- damage has been caused by misuse, abuse, accident or normal wear and tear;
- spares and accessories other than specified by us are used with this unit;
- the unit has been opened, altered or otherwise tampered with;
- the unit has been used without safety guard and line-trimming blade in place.

**Line trimming blade, cutting head and line are wearing parts and are not covered by Warranty.**

PLEASE READ AND UNDERSTAND THE INSTRUCTION MANUAL BEFORE YOU OPERATE THIS UNIT.

## **LAWN STAR ( PTY ) LTD.**

For service and warranty repairs please contact your nearest Service Agent listed below:

**CUSTOMER CARE : 0860-LAWNSTAR**

**HEAD OFFICE : 98 Bofors Circle, Epping 2 South, Cape Town  
PO Box 496, Parow, 7499**

Tel: 021-535-5249

Fax: 021-535-4624

**EASTERN CAPE: Tel: 041-365-6600**

Fax: 041-365-6661

**FREE STATE : Tel: 082-556-6325**

Fax: 086-691-6297

**GAUTENG : Tel: 011-979-0162**

Fax: 011-979-0174

**KZN : Tel: 031-579-4390**

Fax: 031-579-4400

**WEST COAST : 082-826-0316**

**NORTHERN CAPE: 082-826-0316**

**OVERBERG : 084-609-7341**

**NAMIBIA : Tel: 061- 232-475**

Fax: 061- 242-139

**BOTSWANA : +267-318-6851**

**ZIMBABWE : +263-4-486 192/646**

For more information visit: [www.lawnstar.co.za](http://www.lawnstar.co.za)